

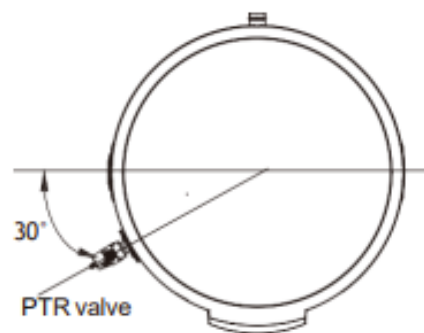
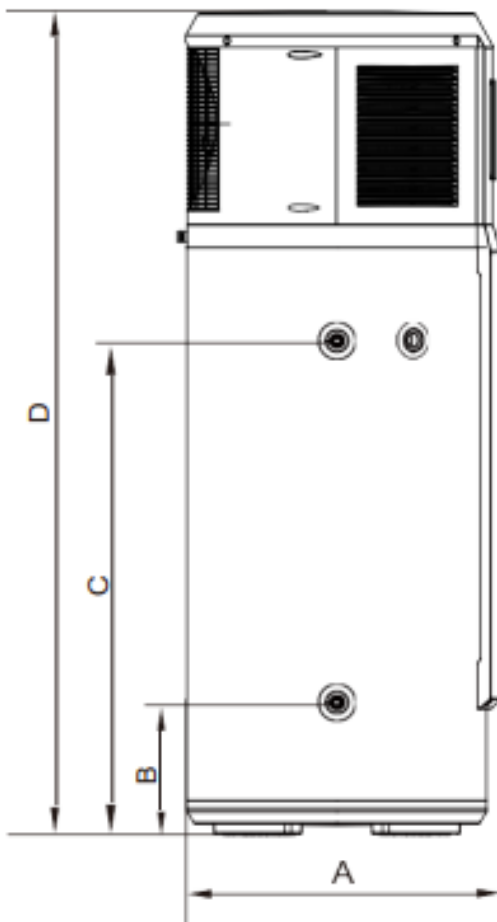
# Monoblock Hot Water Heat Pump

## 200L and 250L

### Key Features



- ✓ **Industry leading Energy Efficiency:** Unique product design delivers high COP, which means larger rebates under applicable programs
- ✓ **Wide Operating range:** -7°C to 45°C
- ✓ **Low GWP Refrigerant:** R290 refrigerant is used which has a low global warming potential (GWP) of 3.
- ✓ **SmartHQ WIFI Connectivity:** Built in Wi-Fi module and SmartHQ app allows control from anywhere.
- ✓ **Solar PV Ready:** Automatically adjusts heating times to make best use of self-generated PV solar energy.
- ✓ **High temperature storage:** Can store water up to maximum 75°C, which means more usable hot water
- ✓ **Low noise:** Utilises a variable speed DC fan for ultra quiet operation.
- ✓ **Flexible Controls:** Five user modes. Auto, Eco, Electric, Vacation and Boost.
- ✓ **Built tough:** Robust vitreous enamelled steel cylinder, with dual magnesium anodes for extra protection
- ✓ **Domestic Warranty:** 7 years on cylinder. 3 years on parts & Labour.



unit: mm

Model	A	B	C	D
HP200M1-U1	630	267	979	1658
HP250M1-U1	630	267	1272	1951

# Haier

# Monoblock Hot Water Heat Pump

## 200L and 250L

### Specifications

Model	HP200M1-U1	HP250M1-U1
<b>Tank</b>		
Total water capacity	195L	246L
Rated voltage/ frequency	220-240V/50Hz	220-240V/50Hz
Tank max pressure	700kPa	700kPa
Ingress protection	IPX4	IPX4
Hot & cold inlet connections	¾" RP	¾" RP
TPR connection	¾" RP	¾" RP
COP* @ 20°C/15°C	4.49	4.48
Power input of element	1500W	1500W
Rated power - heat pump	430W	430W
Maximum power -heat pump	750W	750W
Maximum power input	2250W	2250W
Average power input - heat pump	2000W	2000W
Default temperature setting	60°C	60°C
Heating range (with element)	35°C – 75°C	35°C – 75°C
Heating range (heat pump only)	35°C – 65°C	35°C – 65°C
Refrigerant type / weight	R290/0.34kg	R290/0.34kg
Noise	43dB(A)	43dB(A)
Ambient temperature range	-7~45°C	-7~45°C
<b>Dimension and connections</b>		
Product Dimensions	600*630*1658mm	600*630*1951mm
Net/Gross weight	91/116kg	106/128kg
EAN Code	9415112440254	9415112440261

\*Performance (20°C/15°C Ambient air temperature, 15°C -55°C water temperature)

\*The COP was measured under test conditions with an ambient air temperature of 20°C/15°C (Dry Bulb/Wet Bulb) and heating of the water from 15°C to 55°C during water heater operation.

\* The noise level was measured at 1 m from the water heater during a Noise Test conducted to Standard GB/T 23137 in a hemi-anechoic chamber within a laboratory

Listed Code	STC entitlements for 2023					STC entitlements for 2024				
	Zone 1	Zone 2	Zone 3	Zone 4	Zone 5	Zone 1	Zone 2	Zone 3	Zone 4	Zone 5
HP200M1-U1	20	20	24	26	25	18	17	21	23	22
HP250M1-U1	21	20	25	28	27	18	18	22	24	23

Final STC Values TBC pending registration. Confirmation of these figures is due August 2023.

### State Grants

Additional state grants are available in Victoria and New South Wales to replace inefficient water heating technologies with efficient technologies such as hot water heat pumps. The Haier Monoblock hot water heat pump models are listed on the programs in both states.

