

Installation & RGB System Control Instructions

Warranty No: _____

Please Keep this for warranty

WALL MOUNTING P90/ P120 POOL LIGHT MODEL OPERATING AND SAFETY INSTRUCTIONS

Congratulations, on your purchase of one of the most advanced LED leakproof sealed ceramic technology lights, in the world today. Your Next Generation P90/ P120 LED pool light, will provide you with years of trouble free use and enjoyment. P90/ P120 fully sealed leak-proof technology has been proven internationally for many years. Since your new P90/ P120 is consumes less power, cool running, maintenance free you need never change a globe in your pool . Please take a few minutes to read and observe the following installation and safety information. P90/ P120 is 12V-24V volts unless specifically stated. Please visit our AqualDEA youtube to know more Installation information.

WARNING:

1. Our P90/ P120 are extremely bright, please DO NOT look directly at the light as it may damage your eyes.
2. All P90/ P120 MUST switch on under the water .



P120 Model Set



P120 Model Set

RISK OF ELECTRICAL SHOCK OR ELECTROCUTION

This underwater light fixture must be installed by a licensed pool technician or certified electrician or a qualified pool serviceman in accordance with all applicable local codes and ordinances. Improper installation may create an electrical hazard which could result in death or serious injury to pool users, installers or others due to electrical shock and may also cause damage to property. Always disconnect power to the pool light at the circuit breaker before servicing the light. Failure to do so could result in death or serious injury to serviceman, pool user or others due to electrical shock. Common pool light voltages are 240V, 12V-24V. DO NOT connect your new P90/ P120 the incorrect voltage or you may damage your light and invalidate the warranty. All Pool light **MUST** turn on under the water only.

INSTALLATION INSTRUCTIONS

A: Preparatory steps which must be completed by the electrician before light is installed see Figure 1:

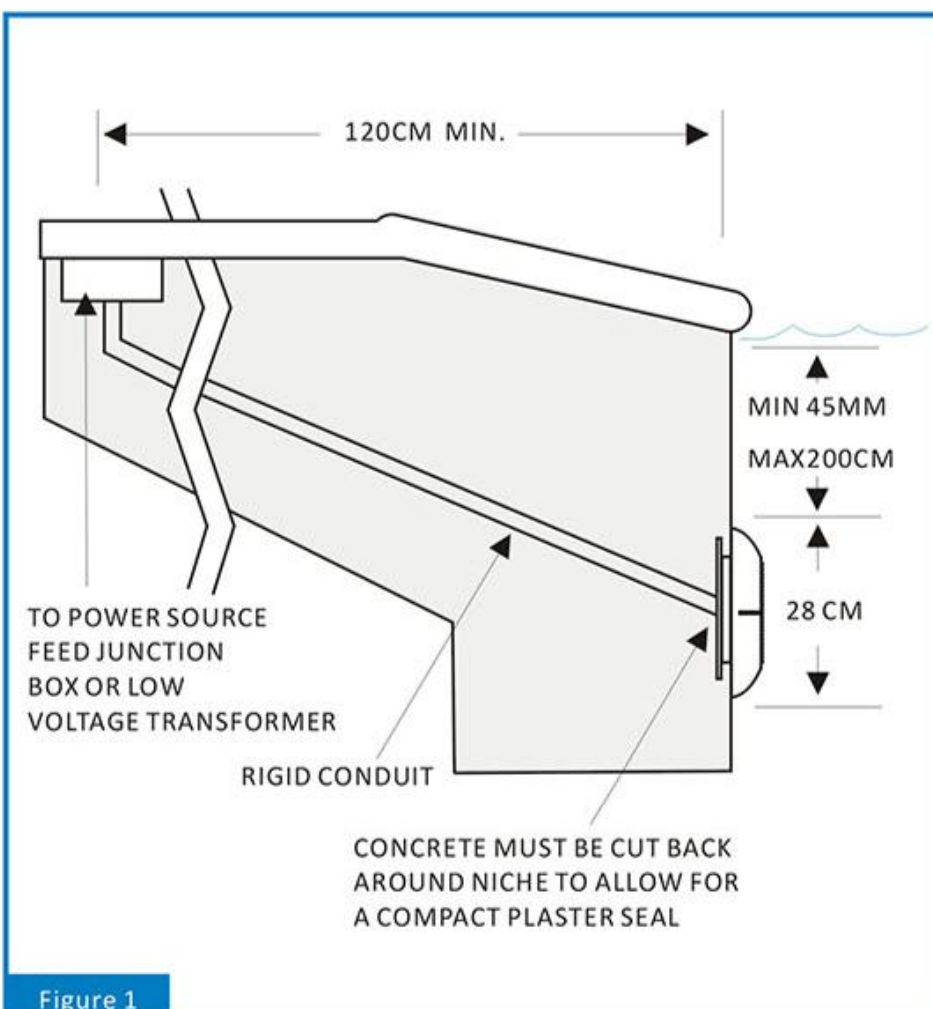


Figure 1

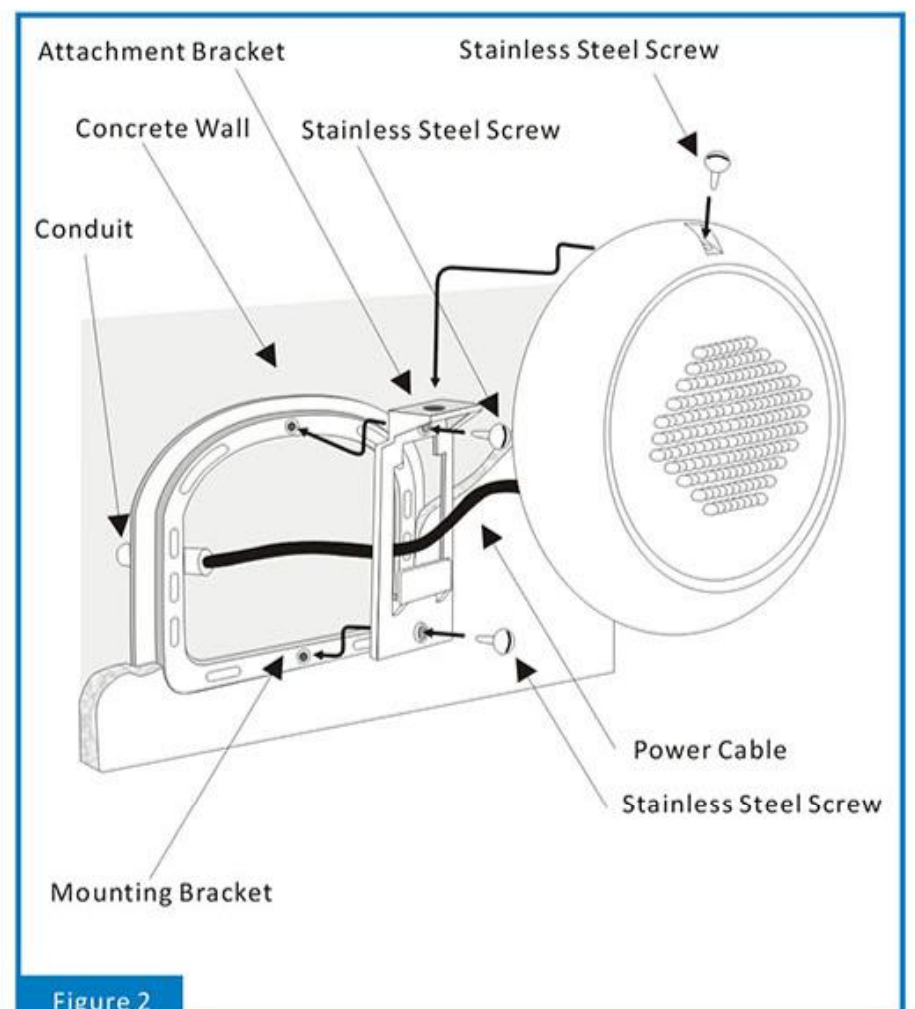
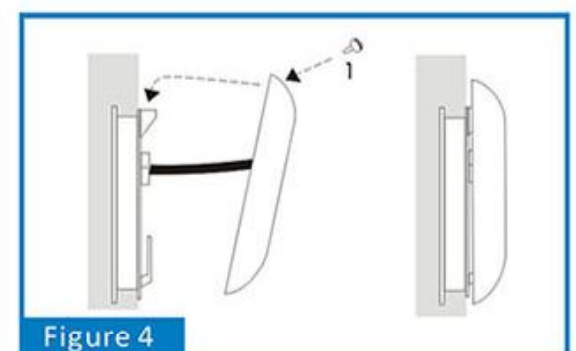
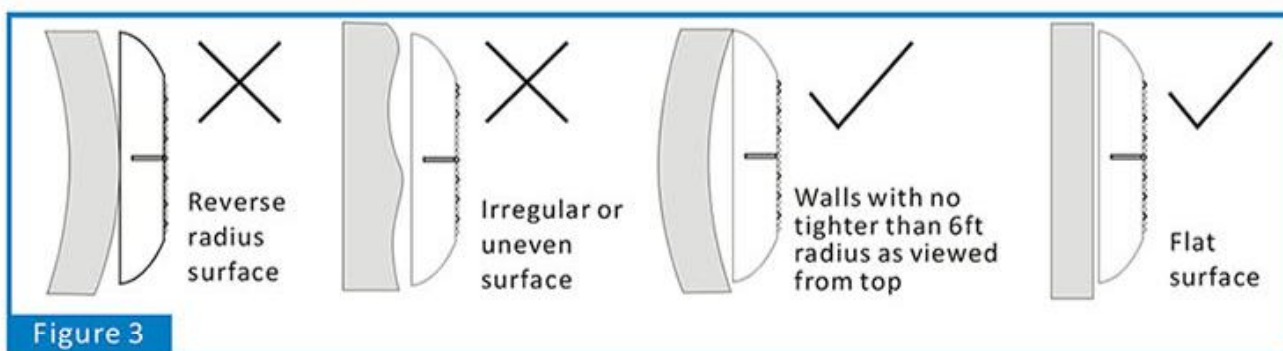


Figure 2

1. Ensure that the electrical system of the pool conforms to the requirements of all the local codes and ordinances. A licensed or certified electrician must install the electrical system to meet or exceed those requirements before the Underwater Light is installed.
 - a) The junction box, or the low voltage transformer for 12 volt modes, NEVER SUBMERGE THE TRANSFORMER is located at least 120 cm from the edge of the pool, and is IP 64 splash rated see Figure 1
 - b) The light fixture and all metal items within 240 cm of the pool must be properly electrically bonded.
 - c) The mounting bracket must be properly installed so that the edge of the face plate of the underwater light's LEDs are at least 45 cm below the surface of the water in the pool, see Figure 1.
2. Consult the local Government Building Department to be certain that the pool's electrical systems meet all applicable requirements.

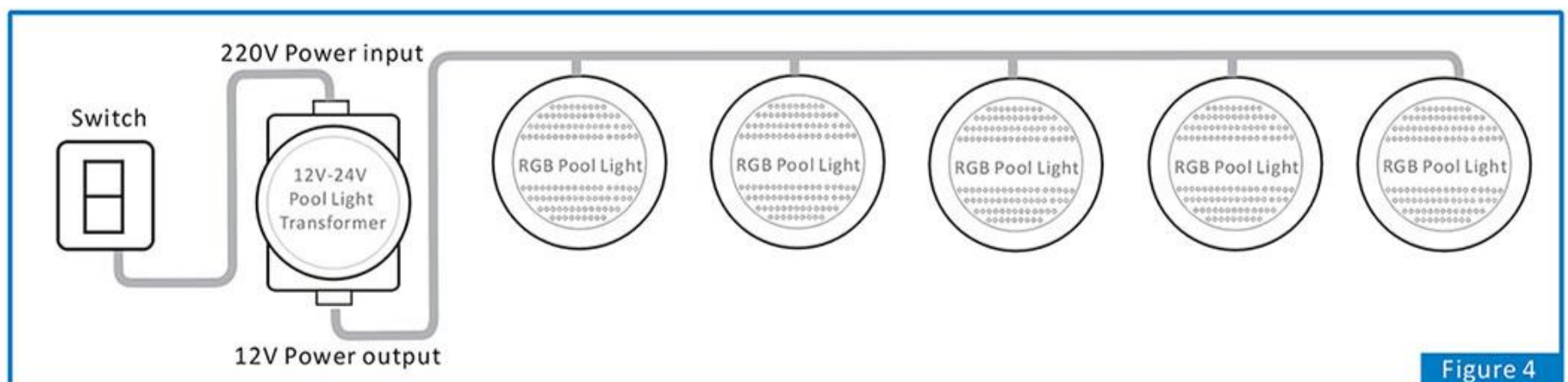
B: Perform the following steps after the electrical system requirements are met.

1. Locate position on the vertical wall where lights are to be installed. The edge of the face plate must be 40~50 cm below normal water level, see Figure 1
2. Connect conduit to midst of mounting space . See figure 2
3. If pool surface is to be plastered, you must allow proper concrete cutback for plaster thickness. Finished concrete surface must be flush with mounting spacer. CAUTION: Finish area surrounding mounting spacer MUST be flat and flush with the face of mounting spacer, this ensures a snug fit between light and wall, see Figure 3.
4. After pool surface is finished, trim the conduit.
5. Wrap a length of cord up to a maximum of 2 m long on the back of the light assembly. This extra cord allows you to bring the light out of the pool for replacing LED and servicing.
6. Connect cord electrical wires at Junction box, through conduit, be careful not to pull the 75mm-80mm of slack chord at the light through the conduit when connecting the wires.
7. connect all wires to the corresponding circuit wires in the junction box and feed to cable housing.
8. Secure the junction box cover into place, or feel into conduit.
9. Before operating the light for more than 10 seconds fill pool until the underwater light is completely submerged in water. To check for proper operation turn on main switch or circuit breaker as well as the switch that operates the underwater light itself. Never leave light on for more than 8 hours at one day.
10. Screw up ensure light is secured to bracket, see(Figure 4 & Figure 5)



RGB COLOUR CHANGING CONTROLLER SYSTEM

P90/P120 RGB Light should be installed on the same transformer and on the same switch. To achieve the synchronization when installing multiple light on the same line. Make sure each light is installed correctly and on the same circuit. (Figure 4) Switch the lights for more than 10 seconds, the first colour changing program will started . Turn the lights off and wait for 1-2 seconds and turn them back on. Program will be changed . **If the pool light are not at the same program. Please turn the light off and wait 3-6second and turn the light on . All pool light program will back to program no 1 **



P90 / P120 RGB Programs

- | | | |
|-------------------------------------------|-----------------------------------|-------------------------------------|
| 1. Deep Blue Sea :Slow animation for Blue | 4. Sky blue : Green and Blue | 8. Neutral white : One colour White |
| 2. Party :Fast animation for all colour | 5. Ocean Blue : One colour Blue | 9. Pink Lady : Red/Blue |
| 3. Sun Set :Slow animation for Red | 6. Glass land : Blue and Green | 10. Sunset : Red/Green/Blue |
| 4. Sky blue : Green and Blue | 7. Ocean Green : One colour Green | 11. Orange Road : Red/ Green |